

Pure.  
Life.  
Taste.

**isi**

isi GmbH  
Kürschnergasse 4  
A-1217 Vienna  
T +43 (1) 250 99-0  
info@isi.com  
www.isi.com/culinary

Distribution Deutschland  
isi Deutschland GmbH  
Mittelitterstraße 12-16  
D-42719 Solingen  
T +49 (212) 397-0  
isideutschland@isi.com  
www.isi.com/culinary/de

Imported and distributed by  
isi North America, Inc.  
Fairfield, NJ 07004  
Phone +1 (973) 227-2426  
Phone +1 (800) 447-2426  
isnorthamerica@isi.com  
www.isi.com/culinary/us

**isi**

Soda  
Siphon  
Stainless  
Steel.

---

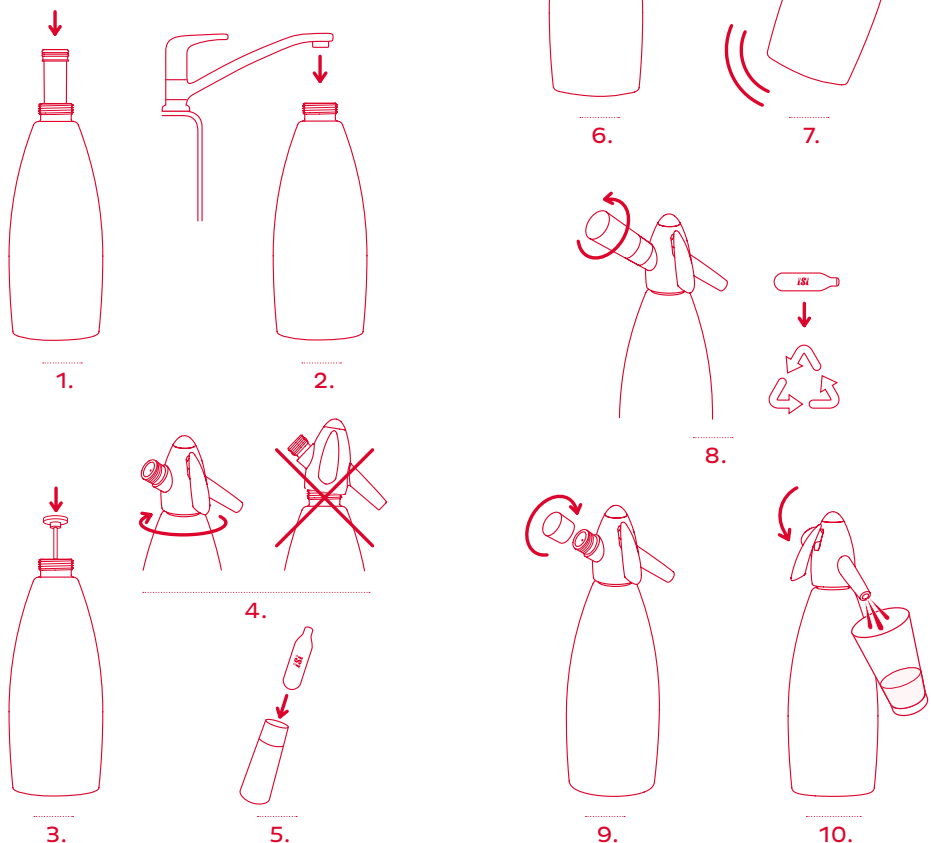
Instructions for Use / Gebrauchsanleitung /  
Notice d'utilisation / Istruzioni per l'uso /  
Modo de empleo / Handleiding / Bruksanvisning /  
Instruções de uso / Οδηγίες χρήσης / Инструкция  
по эксплуатации / Instrukcja użytkowania /  
Návod k použití / Használati útmutató / Upute  
za uporabu / Navodila za uporabo / Kullanma  
talimatı / مَدِخْتَسَال لِيْلْد / 설명 / 使用说明书 /  
คำแนะนํารุ่น

94 70807 01



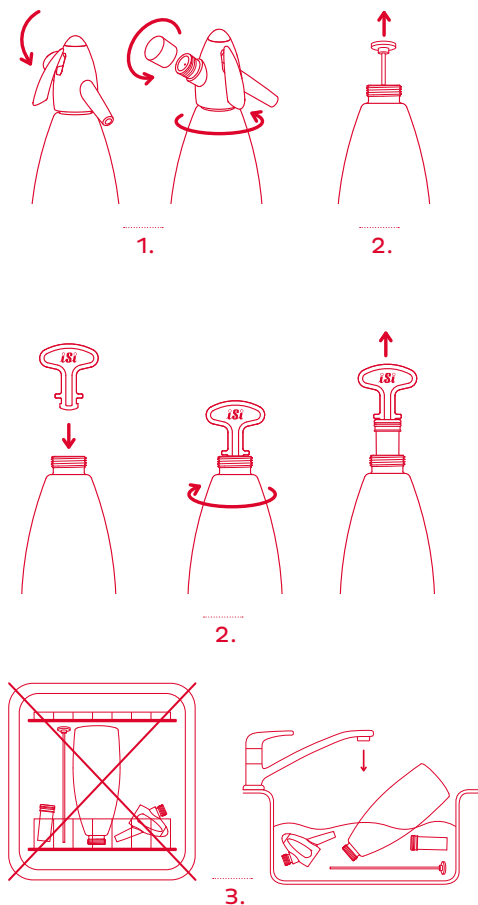
## Instructions for Use

Gebrauchsanleitung / Notice d'utilisation / Istruzioni per l'uso / Modo de empleo / Handleiding / Bruksanvisning / Instruções de uso / Οδηγίες χρήσης / Инструкция по эксплуатации / Instrukcja użytkowania / Návod k použití / Használati útmutató / Upute za uporabu / Navodila za uporabo / Kullanna talimatı / مداخلتسالا لي ليد / 설명 / 使用说明书 / คำแนะนำการใช้งาน



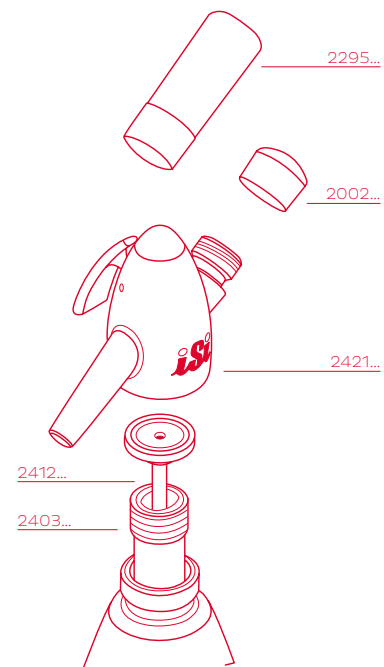
## Cleaning

Reinigung / Nettoyage / Pulizia / Limpieza / Reiniġing / Rengöring / Limpeza / Καθαρισμός / Очистка / Czyszczenie / Čištění / Tisztítás / Čišćenje / Čišćenje / Temizlik / فيظنتالا / 세척 / 清洁 / การทำความสะอาด



## Expanded Drawing

Explosionszeichnung / Vue éclatée / Esploso / Vista detallada / Opengewerkte tekening / Sprängskiss / Vista explosada / Αναπτυγμένο διάγραμμα / Πομπωνεντικό изображение / Rysunek rozłożeniowy / Rozłożený výkres / Robbantott ábra / Znak za opasnost od eksplozije / Eksplozijska risba / Parça şeması / يولي صفت مبرر / 폭발성 표시 / 分解圖 / ระเบิดภัย:เบ อี





## Thank you for choosing an iSi product.

Please read the Siphon instructions carefully before first-time use.

## Discover the world of iSi:

Visit the iSi website and learn more about our extensive range of products: Our comprehensive collection of recipes from simply yummy to creatively sophisticated combinations offers you access to the entire culinary world of iSi. Let yourself be inspired!

Want to speak directly with a cooking professional? No problem! Our head chef is happy to answer your questions on our iSi blog, where you can find up-to-date, interesting information all about iSi. Take a look!

The iSi website provides detailed product information about all iSi Whippers/Siphons and iSi Accessories.

**The detailed online instructions provide information about first-time use, cleaning, and troubleshooting iSi Whippers and Siphons.**

[www.isi.com/culinary](http://www.isi.com/culinary)

[www.isi.com/culinary/us](http://www.isi.com/culinary/us)

If you have any further questions please contact [info@isi.com](mailto:info@isi.com)  
For the US: [isinorthamerica@isi.com](mailto:isinorthamerica@isi.com)

## Guaranteed quality:

Every iSi Whipper and Siphon is thoroughly inspected before leaving the factory. iSi offers a two-year warranty for materials and machining, as long as faults are not determined to be the result of improper use. The warranty is effective from the date on the purchase receipt.

### **Register online now and we will extend your warranty!**

Enjoy the benefits of a three-year warranty for materials and machining.

The warranty is only valid when original whipper parts from iSi are used, as given in the list of product components. The perfect function of your Whipper/Siphon can only be guaranteed if you exclusively use iSi chargers with it. No warranty or liability claim will be upheld for faults, damage, or consequential damage particularly determined to be the result of non-compliance and/or ignorance of the user instructions and the safety information therein.

## FOR U.S. ONLY:

Limited warranty, Limitations and Warning: iSi products are thoroughly tested before they leave the factory, and iSi warrants for a period of two years that its products are free from defects in materials and workmanship and, if used only with other iSi products, will function as intended. iSi's liability in the event of a product's failure to meet this warranty is limited to repair or replacement of the product or, at iSi's option or if iSi is unable to deliver a replacement product, to refund the purchase price. In no event, however, shall iSi be liable for incidental or consequential damages. Any implied warranties are limited to the terms of the express warranties, including the two-year duration. iSi siphons and chargers are designed and engineered to function together as a system and involve gas under pressure. All iSi products and parts bear the iSi logo; iSi recommends that only iSi parts and products be used with iSi products, including that only iSi chargers be used with iSi Whippers/Siphons and that iSi chargers be used only in iSi Whippers/Siphons. Failure to follow this recommendation or any failure to follow

the instructions for use and care of the products invalidates this warranty and all implied warranties in their entirety as to any consequences of such failure.

**WARNING:** In addition, failure to follow this recommendation or any of the instructions for use and care constitutes misuse of iSi products and could result in malfunction of the system and possible personal injury and/or property damage. In the event of any personal injury, you should promptly seek appropriate medical attention.



Simply register online and take advantage of the extended benefits:  
[www.isi.com/warranty](http://www.isi.com/warranty)



For the US please refer to  
[www.isi.com/warranty/us](http://www.isi.com/warranty/us)

## Siphon Data.

Max. operating pressure PS	16 bar / 232 psi
Min. operating temperature	1 °C / 34 °F
Max. operating temperature	30 °C / 86 °F
Max. filling volume	~ 1 L / 1 US quart
Max. number of chargers to be used	1 iSi soda charger
How to Use	For refreshing, sparkling soda water. Not approved for commercial use.

## Material List.

Description	Material
Bottle	Stainless steel polished or lacquered
Head	PA, nickel-plated ABS, POM, silicone, NBR, PU, nickel-plated brass, stainless steel
Riser tube/Gasket	PE, TPE
Measuring tube	PP, NBR
Measuring tube key	ABS
Charger holder	Die-cast zinc – chrome plated, silicone

Technical data is subject to change without prior notice.



## Safety Information.

**Failure to follow this safety instructions or any recommendation for use and care constitutes misuse of iSi products and could result in malfunction of the system and possible personal injury and/or property damage.**

- Do not exceed minimum or maximum pressure, minimum or maximum temperature, maximum filling volume, number of chargers or usage of the iSi Siphon shown in the Siphon Data! Do not use for any purposes not indicated in these instructions!
- Please read the instructions for use carefully to avoid operating errors and keep a copy on hand!
- Do not use force when screwing on or off the head, using the siphon and during any operation described in these instructions!
- Store the iSi Siphon out of the reach of children!
- Only charge a siphon that is filled!
- Never store or use the iSi Siphon outside of the min. and max. operating temperatures. Do not store in a freezer!
- Only use a head and bottle of the same siphon type together!
- Never combine iSi components with components from another brand or manufacturer!
- The head and the charger holder should always be screwed on straight and completely tight, never crooked or incompletely tightened!
- Only use original iSi soda chargers!

- When screwing on the charger, do so away from others and keep face away from the siphon; do not bend over the siphon!
- The siphon is a pressurized bottle. If it is dropped or damaged (e.g., cracked or dented), it should not be used again because it poses a risk of injury. Please have the siphon checked by the iSi service center!
- Never unscrew the head when the siphon is pressurized!
- Never use the lever as a carrying handle!
- Only dismantle the iSi Siphon for cleaning in accordance with the illustration!
- Only clean by hand using lukewarm water and domestic hand dishwashing detergent. The iSi Siphon is not dishwasher safe! Cleaning the head of the siphon in the dishwasher may damage the plastic head and the charger holder, which ultimately puts your safety when using your iSi Siphon at risk!
- Do not make any modifications to the iSi Siphon. This will void the warranty and exempt the company from any liability!
- Never use more chargers than specified and never overfill the siphon. This will ensure that the specified maximum operating pressure is not exceeded!
- If the pressure will not release, please contact iSi or your service center!

**NOTE:** Before using the iSi Siphon for the first time, carry out thorough cleaning as shown in the Cleaning illustration.

## Siphon Instructions.

Please observe the illustrations in the siphon instructions!

If the water is cold when poured in and the siphon is kept in a cool place, then the soda water will be particularly fizzy. Keep filled soda siphon in the refrigerator.

## Preparation

**NOTE:** If the bottle has been out of use for a long period of time, rinse it with warm water (max. 50°C/122°F) before use. Push the lever several times to check the siphon's function.

1. Push the measuring tube into the bottle until it stops.

**NOTE:** Never fill the bottle without the measuring tube.

## Filling

2. Hold the bottle upright and fill with cold water until the water spills out of the measuring tube.

**NOTE:** Do not try to add more water by tilting or shaking the bottle.

**NOTE:** Fill the iSi Siphon with water only. Do not add extra ingredients.

## Equipment Setup

3. Insert the riser tube with gasket into the bottle through the measuring tube.
4. Screw the head onto the bottle so that it is straight and tighten by hand.
5. Insert 1 iSi soda charger into the charger holder.
6. Screw the charger holder with the inserted iSi soda charger onto the head until you can hear that all of the charger contents have flowed into the siphon.

---

**⚠ WARNING:** The siphon is now pressurized!

---

7. Shake the siphon vigorously at least 5 times.
8. Unscrew the charger holder and recycle the empty iSi soda charger.

**NOTE:** A slight hiss may be heard when removing the charger holder. This is normal.

9. Screw the cap onto the threads.

## Operation

**10.** Gently press the lever to remove the soda water. Direct the stream toward the internal wall of the drinking glass.

**NOTE:** If necessary, shake the Soda Siphon again to achieve optimum use.

## Cleaning.

**NOTE:** Please observe the illustrations on cleaning!

1. Activate the lever until the siphon is completely empty and there is no pressure left. Unscrew the head from the siphon.
2. Remove the riser tube and measuring tube as shown in the illustration.
3. Rinse the product components with clear potable water (max. 50°C/122°F) only.

**NOTE:** Never use scouring agents, abrasive sponges/brushes, or sharp objects to clean the siphon.

**NOTE:** Do not put in the dishwasher and do not wash in boiling water.

## Storage.

If the iSi Siphon is not going to be filled again immediately, leave the components to air dry in a clean place and store the iSi Siphon in a dismantled condition with the measuring tube inserted. For best results, when not in use, do not store the siphon with the head screwed on.

## Troubleshooting.

### Release the pressure:

Place the siphon upright in a sink and gently operate the lever until the pressure is gone from the iSi Siphon. Now the head can be removed from the bottle. If the pressure will not release, please contact iSi or your service center.

### Soda charger will not puncture.

1. The charger being used is not suitable.
  - Only use original iSi soda chargers.
2. The charger was inserted backwards.
  - Insert the iSi soda charger correctly (see diagram: Instructions for Use).
3. The puncturing unit has been damaged.
  - Send the siphon to iSi or a service center.

### Water does not contain any CO<sub>2</sub> or hardly any at all.

1. The siphon was not shaken enough.
  - After screwing on the iSi soda charger, shake the siphon vigorously several times (at least 5 times).
2. The water is not cold enough.
  - The colder the water, the more CO<sub>2</sub> it can absorb. For the best results we recommend keeping the filled Soda Siphon in the refrigerator.
3. No pressure/not enough pressure in the device.
  - Only use original iSi soda chargers.
  - Do not reuse empty chargers. They should be recycled.
4. Gas is leaking between the bottle and the head.
  - See "During operation, gas is leaking between the bottle and the head."

### During operation, water and gas are leaking through the outlet – pressure-relief valve is engaged.

1. The siphon was overfilled.
  - "Release the pressure" and refill the siphon.

- Observe the maximum filling amounts. Ensure the measuring tube is fully inserted before filling.
- 2. Too many chargers were used.**
- Pay attention to the maximum number of iSi soda chargers to be used indicated in the Siphon Data.

**During operation, gas is leaking between the bottle and the head.**

- 1. The head was not tightened securely.**
  - Tighten the head onto the bottle by hand as per the instructions.
- 2. Riser tube with gasket was not used.**
  - "Release the pressure" and insert the riser tube in the bottle.
- 3. The gasket has been damaged.**
  - "Release the pressure." The riser tube with gasket needs to be replaced and is available as an original iSi spare part.
- 4. The bottle has been damaged on the upper edge.**
  - "Release the pressure." Send the siphon to iSi or a service center.

## Service.

Replacement parts are available individually and at an affordable price.

See your specialist dealer for the availability of replacement parts. In Austria, you can also get in contact via [info@isi.com](mailto:info@isi.com). In the US contact [isnorthamerica@isi.com](mailto:isnorthamerica@isi.com)

Only send in the complete siphon for repairs.

Replacement parts can be seen in greater detail on the expanded drawing.



## Usuwanie usterek.

### **Redukcja ciśnienia:**

Ustawić urządzenie prosto w umywalce i tak długo delikatnie naciskać dźwignię, aż całe ciśnienie ułotni się z urządzenia iSi. Dopiero wtedy odkręcić głowicę urządzenia od butelki. Jeżeli nie można zredukować ciśnienia do zera, skontaktować się z firmą iSi lub placówką serwisową.

### **Nabój z dwutlenkiem węgla nie zostaje przebity.**

1. Zastosowano nieodpowiedni nabój
  - Stosować tylko oryginalne naboje z dwutlenkiem węgla iSi.
2. Nabój został włożony odwrotnie
  - Włożyć nabój do wody sodowej iSi prawidłowo (patrz ilustracja: Instrukcja użytkownika).
3. Przyrząd do przebijania został uszkodzony
  - Odestać urządzenie do firmy iSi lub placówki serwisowej.

### **Woda zawiera jedynie śladowe ilości lub w ogóle nie zawiera CO<sub>2</sub>.**

1. Zbyt słabo potrząsnięto urządzeniem
  - Po wkręceniu naboju z dwutlenkiem węgla iSi należy kilkakrotnie (co najmniej 5 razy) mocno potrząsnąć urządzeniem.
2. Woda nie jest wystarczająco zimna
  - Im zimniejsza woda, tym więcej CO<sub>2</sub> może ona wchłonąć. Aby uzyskać najlepsze efekty, zalecamy wstępne przechowywanie napełnionego syfonu w chłodziarce.
3. Brak ciśnienia / zbyt niskie ciśnienie w urządzeniu
  - Stosować tylko oryginalne naboje z dwutlenkiem węgla iSi.
  - Nie używać ponownie pustych nabojuów. Oddać je do punktu odbioru materiałów do ponownego przetworzenia.
4. Ulatnia się gaz w miejscu między butelką a głowicą
  - Patrz punkt „Podczas uruchamiania ulatnia się gaz między butelką a głowicą”.

### **Podczas uruchamiania woda i gaz wyciekają przez wylot – działa zawór nadciśnieniowy.**

1. Urządzenie zostało napełnione zbyt dużą ilością produktu
  - Wykonać procedurę „Redukcja ciśnienia” i ponownie napełnić urządzenie.
  - Przestrzegać maksymalnego poziomu napełnienia. Przed napełnieniem wóź do oporu rurkę pomiarową.
2. Zastosowano zbyt wiele nabojuów
  - Stosuj maks. 1 nabój do wody sodowej iSi.

### **Podczas uruchamiania ulatnia się gaz między butelką a głowicą.**

1. Głowica nie została odpowiednio mocno dokręcona
  - Nakręcić mocno głowicę na butelkę zgodnie z instrukcją.
2. Brak pionowej rurki z uszczelką
  - Wykonać procedurę „Redukcja ciśnienia” i włożyć pionową rurkę do butelki.
3. Uszczelka została uszkodzona
  - „Redukcja ciśnienia”. Należy wymienić pionową rurkę – jest ona dostępna, jako oryginalna część zamienna iSi.
4. Korpus butelki został uszkodzony na górnej krawędzi
  - „Redukcja ciśnienia”. Odestać urządzenie do firmy iSi lub placówki serwisowej.

## Serwis.

Części zamienne są dostępne pojedynczo, w korzystnych cenach.

Aby zamówić części zamienne, skontaktuj się ze sprzedawcą. W Austrii zamówienia można skła- dać także pocztą e-mail pod adresem [info@isi.com](mailto:info@isi.com).

Do naprawy należy przesać całe urządzenie.

Części zamienne są przedstawione na schemacie.

***isi***<sup>®</sup>